

## LED TAIL LIGHT INSTALLATION AND USAGE

1. The Deluxe Tail Light is water-resistant. Although the light body is water-resistant (under normal weather conditions of rain, etc.) never intentionally submerge it under water.
2. If the light body or parts become dirty or have been exposed to any contaminants or dirt, gently clean with soft towel using mild soap and water only. Never use harsh chemicals to clean the lighting system as damage to the housing and lens will occur.
3. Safely and properly dispose of the old batteries according to your local regulations.
4. Never place this lighting system within a child's reach.
5. For ultimate safety, the Deluxe Tail Light should be used in conjunction with reflectors, and possible additional front lighting when deemed necessary.
6. Always wear an approved bicycle helmet, when riding.
7. Riding a bicycle at night is dangerous and could result in injury or possible death.

### Operation



**Note:** Do not mix old and new batteries and do not mix alkaline, standard (carbon-zinc) or rechargeable (ni-cad, ni-mh, etc.) batteries

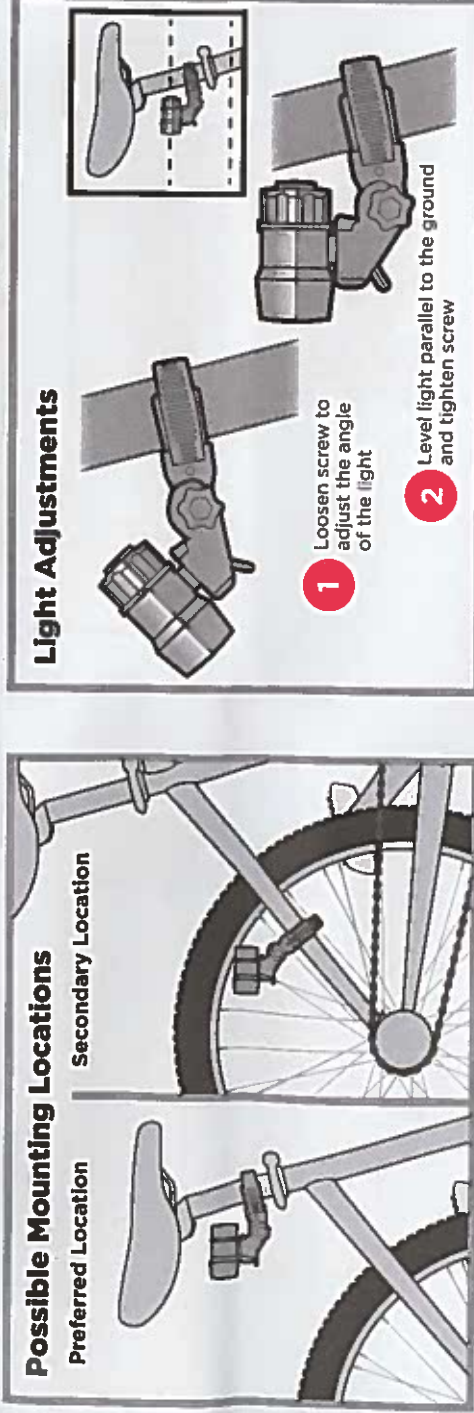
**Switch Button**  
Press to cycle through functions

off → flashing → constant → off

### Possible Mounting Locations

Preferred Location

Secondary Location

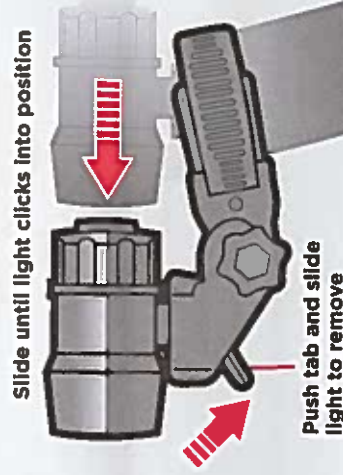


### Bracket Installation

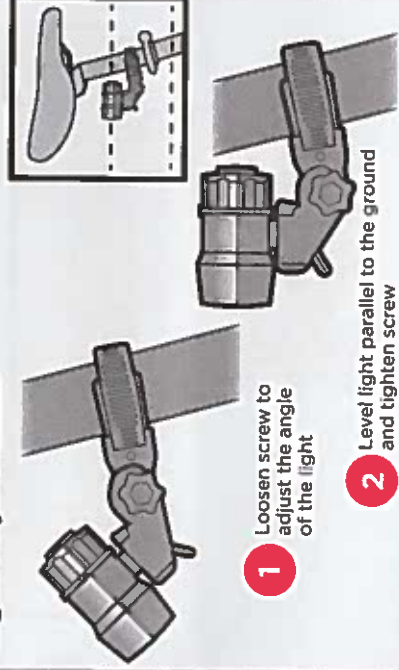


- 1 Unscrew plastic screw with flat blade screwdriver
- 2 Wrap bracket around bicycle tube
- 3 Tighten screw with screwdriver clockwise

### Light Mounting & Removal



### Light Adjustments



- 1 Loosen screw to adjust the angle of the light
- 2 Level light parallel to the ground and tighten screw

# Zéfal<sup>®</sup>



## DELUXE ALUMINUM

cycle light set

### User's Guide

[usa.zefal.com](http://usa.zefal.com)

PRODUCT INFORMATION | INSTRUCTIONS | CUSTOMER SERVICE

For customer assistance call  
**800-278-2565**

Distributed by Todson, Inc., 4 Cocasset Street, Foxboro, MA 02035. Manufactured under EU, US, and international patents. The distinctive shapes, style, packaging, configurations and overall appearances of all Zéfal products are trademarks of Zéfal. Zéfal is a registered trademark and exclusively licensed to Todson, Inc.

For maximum run times, please use premium brand batteries

5045

MADE IN CHINA



please refer  
this sheet