
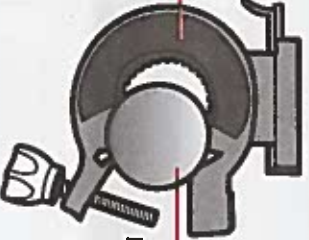



LED HEADLIGHT USAGE

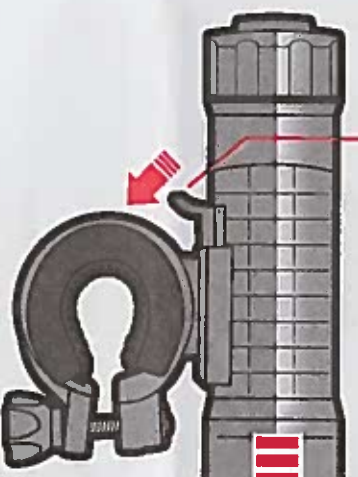

1. The Zéfal Deluxe LED Headlight is water-resistant. Although the light body is water-resistant (under normal weather conditions of rain, etc.) never intentionally submerge it under water.
2. If the light body or parts become dirty or have been exposed to any contaminants or dirt, gently clean with soft towel using mild soap and water only. Lubricate and maintain the light body with silicon based grease on the O-rings. Never use harsh chemicals to clean the lighting system as damage to the housing and lens will occur.
3. Safely and properly dispose of the old batteries according to your local regulations.
4. Never place this lighting system within a child's reach.
5. For ultimate safety, the Zéfal Deluxe LED Headlight should be used in conjunction with a rear safety LED, reflectors, and possible additional front lighting when deemed necessary.
6. Always wear an approved bicycle helmet, when riding.
7. Riding a bicycle at night is dangerous and could result in injury or possible death.
8. In addition to its brightness, the beam is widely diffused. In case you need to use this light on public roads, be sure to adjust the angle downward so as not to blind oncoming traffic.

BRACKET INSTALLATION

- 1 Loosen

- 2 Wrap bracket and shim around handlebar

- 3 Tighten


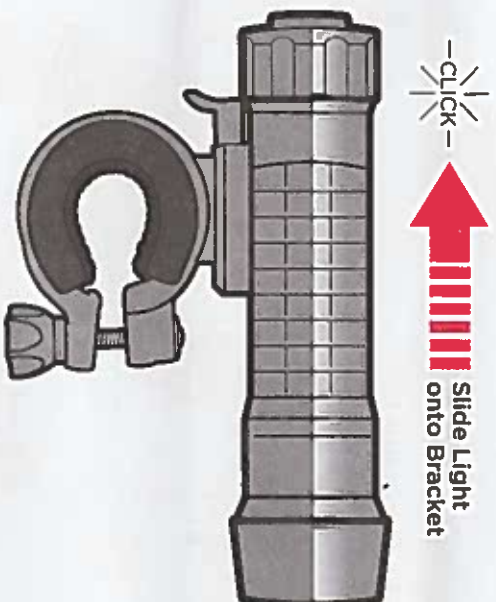
LED HEADLIGHT INSTALLATION

Light Removal

- 1 Push TAB to release the light

- 2 Slide Light off Bracket


Light Mounting

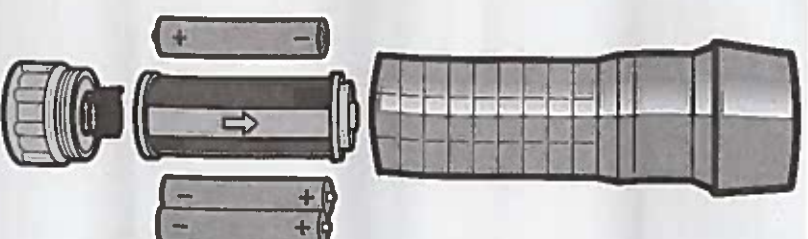
Slide light onto bracket until it clicks into locked position.



BATTERY INSTALLATION

Battery 3 x AAA
(1.5V - LR3)

Note: Do not mix old and new batteries and do not mix alkaline, standard (carbon-zinc) or rechargeable (ni-cad, ni-mh, etc.) batteries



HEADLIGHT OPERATION

